

ProTec T2-PV 1+0

Type 2



Location of Use: String box, Inverter
 Mode of Protection: (+)-PE, (-)-PE, (+)-(-)
 Surge Ratings: $I_n=20\text{ kA}$ (8/20 μs)
 EN/UL Category: Type 2
 Housing: Pluggable Design
 Compliance: EN 50539-11:2013+A1:2014

Technical Data

ProTec T2-xxxxPV-1+0(-R)

150

600

EN Electrical

		150	600
Maximum Continuous Operating DC Voltage	U_{CPV}	150 V	600 V
Nominal Discharge Current (8/20 μs)	I_n	20 kA	
Maximum Discharge Current (8/20 μs)	I_{max}	40 kA	40 kA
Voltage Protection Level	U_p	1250 V	2500 V
Response Time	t_A	< 25 ns	
Short-Circuit Current Rating	I_{SCPV}	11 kA	
Number of Ports		1	

Mechanical & Environmental

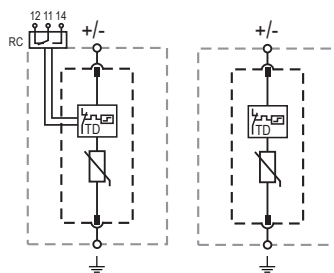
Operating Temperature Range	T_a	-40 °F to +185 °F [-40 °C to +85 °C]	
Permissible Operating Humidity	RH	5%...95%	
Altitude (max)		13123 ft [4000 m]	
Terminal Screw Torque	M_{max}	39.9 lbf-in [4.5 Nm]	
Conductor Cross Section (max)		2 AWG (Solid, Stranded) / 4 AWG (Flexible) 35 mm ² (Solid, Stranded) / 25 mm ² (Flexible)	
Mounting		35 mm DIN Rail, EN 60715	
Degree of Protection		IP 20 (built-in)	
Housing Material		Thermoplastic: Extinguishing Degree UL 94 V-0	
Thermal Protection		Yes	
Operating State / Fault Indication		Green Flag / Not Green Flag	
Remote Contacts (RC)		Optional	
RC Switching Capacity		AC: 250V/1A, 125V/1A; DC: 48V/0.5A, 24V/0.5A, 12V/0.5A	
RC Conductor Cross Section (max)		16 AWG (Solid) / 1.5 mm ² (Solid)	

ProTec T2-PV 1+0

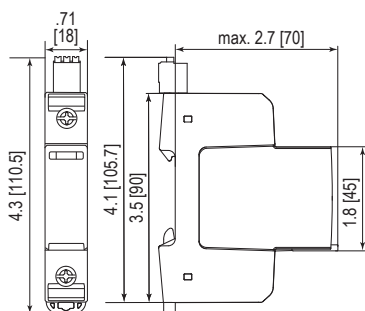
Internal Configuration

Legend

- +/-, -/+ Terminal for +/-, -/+ Conductor
- ⊥ Terminal for PE/G Conductor
- RC Remote Contacts Optional
- TD Thermal Disconnect



Complete Unit



Dimensions & Packaging

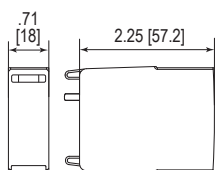
		150	600
ProTec T2-xxxxPV-1+0			
Single Unit Weight	pounds	.276	.302
	grams	125	137
ProTec T2-xxxxPV-1+0-R			
Single Unit Weight	pounds	.291	.317
	grams	132	144
Single Unit DIN 43880 Dimension		3 TE / 2.13 [54]	
Packaging Dimensions (HxWxL)		4.3 x 4.5 x 13.8" [109 x 115 x 352 mm]	
Standard Order Quantity		1 Unit	

Plug Internal Configuration

ProTec T2-XXXPV-P



Spare Plug



Dimensions & Packaging

		75	300
ProTec T2-xxxPV-P			
Single Unit Weight	pounds	.123	.150
	grams	56	68
Single Unit DIN 43880 Dimension		1 TE / .71 [18]	
Packaging Dimensions (HxWxL)		4.3 x 4.5 x 13.8" [109 x 115 x 352 mm]	
Standard Order Quantity		1 Unit	

inches
[mm]

Information contained in this document is subject to change at any time without notice.



ProTec T2-PV 3+0 Y

Type 2



Location of Use: String box, Inverter
 Mode of Protection: (+)-PE, (-)-PE, (+)-(-)
 Surge Ratings: $I_n = 20 \text{ kA}$ (8/20 μs)
 $I_{\text{Total}} = 50 \text{ kA}$ (8/20 μs)
 EN/UL Category: Type 2
 Housing: Pluggable Design
 Compliance: EN 50539-11:2013+A1:2014

Technical Data

ProTec T2-xxxxPV-3+0(-R)

150

600

EN Electrical

		150	600
Maximum Continuous Operating DC Voltage	U_{CPV}	150 V	600 V
Nominal Discharge Current (8/20 μs)	I_n	20 kA	
Maximum Discharge Current (8/20 μs)	I_{max}	40 kA	40 kA
Total Discharge Current	I_{Total}	50 kA	50 kA
Voltage Protection Level	U_p	1250 V	2500 V
Response Time	t_A	< 25 ns	
Short-Circuit Current Rating	I_{SCPV}	11 kA	
Number of Ports		1	

Mechanical & Environmental

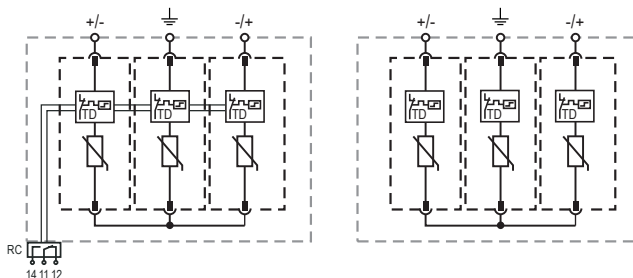
Operating Temperature Range	T_a	-40 °F to +185 °F [-40 °C to +85 °C]	
Permissible Operating Humidity	RH	5%...95%	
Altitude (max)		13123 ft [4000 m]	
Terminal Screw Torque	M_{max}	39.9 lbf-in [4.5 Nm]	
Conductor Cross Section (max)		2 AWG (Solid, Stranded) / 4 AWG (Flexible) 35 mm ² (Solid, Stranded) / 25 mm ² (Flexible)	
Mounting		35 mm DIN Rail, EN 60715	
Degree of Protection		IP 20 (built-in)	
Housing Material		Thermoplastic: Extinguishing Degree UL 94 V-0	
Thermal Protection		Yes	
Operating State / Fault Indication		Green Flag / Not Green Flag	
Remote Contacts (RC)		Optional	
RC Switching Capacity		AC: 250V/1A, 125V/1A; DC: 48V/0.5A, 24V/0.5A, 12V/0.5A	
RC Conductor Cross Section (max)		16 AWG (Solid) / 1.5 mm ² (Solid)	

ProTec T2-PV 3+0 Y

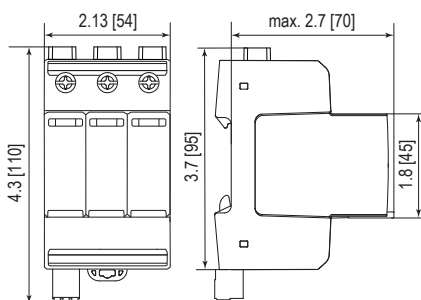
Internal Configuration

Legend

- +/-, -/+ Terminal for +/-, -/+ Conductor
- ⊥ Terminal for PE/G Conductor
- RC Remote Contacts Optional
- TD Thermal Disconnect



Complete Unit



Dimensions & Packaging

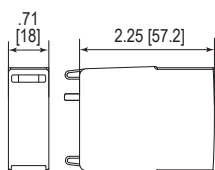
		150	600
Single Unit Weight	pounds	.681	.723
	grams	309	328
ProTec T2-xxxxPV-3+0-R		150	600
Single Unit Weight	pounds	.693	.734
	grams	314	333
Single Unit DIN 43880 Dimension		3 TE / 2.13 [54]	
Packaging Dimensions (HxWxL)		4.3 x 4.5 x 13.8" [109 x 115 x 352 mm]	
Standard Order Quantity		1 Unit	

Plug Internal Configuration

ProTec T2-XXXPV-P



Spare Plug



Dimensions & Packaging

		75	300
Single Unit Weight	pounds	.108	.123
	grams	49	56
Single Unit DIN 43880 Dimension		1 TE / .71 [18]	
Packaging Dimensions (HxWxL)		4.3 x 4.5 x 13.8" [109 x 115 x 352 mm]	
Standard Order Quantity		1 Unit	

inches
[mm]

Information contained in this document is subject to change at any time without notice.

