

# ODC-FD6

## OPTICAL DISTRIBUTION CLOSURE

### APPLICATION

The generic closure ODC-FD6 is an environmentally sealed enclosure typically used for fibre optic cable distribution. This generic closure provides the functions of splice and passive component integration in the external network.

### FEATURES

- Single ended design
- Base and dome are sealed with a clamp and O-ring system
- 6 Round ports for fibre distribution and 1 oval port for looped cable
- The single side UMS (Universal Mounting System) frame provide the foundation for mounting combinations of ODC-SE,SC,SE-A,ODC-SEHD (Splice Tray) and/or ODC-SE-SP (Splitter Tray) modules, which consist of a modular groove plate and trays
- Compatible with most common cable types: e.g. loose tube, central core, ribbon fibre
- Uncut fibres can be stored as single circuits in trays and/or as cable elements in the storage space



### ORDERING GUIDE

ODC-XXX-XX

#### Type

FD	432mm long with two 28 units UMS
----	----------------------------------

#### Flat test point

V	Pre-mounted flash test point in dome
N	No pressure relief valve

#### Number of round ports

6	Round ports + 1 Oval port
---	---------------------------

#### Ground feed through

G	Pre-mounted ground feed-through
N	No ground feed-through

# DIMENSIONS



## SEALING WAY

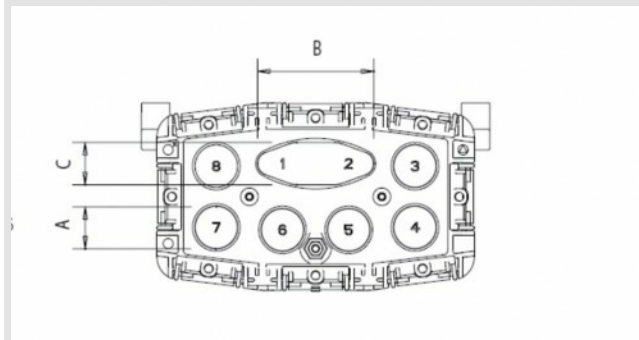
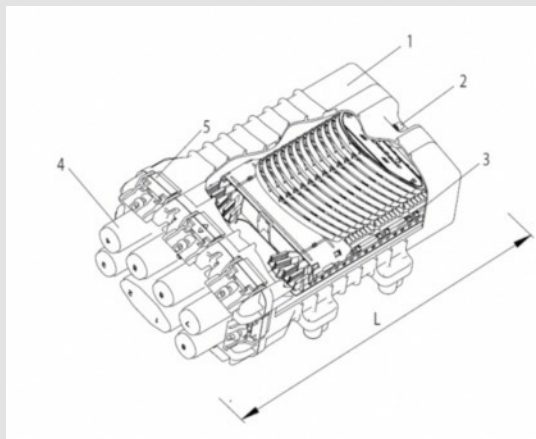
Base-to-base seals on the closures are mechanical for ease of installation and re-entry. Cable seals by heat shrink tube or mechanical sealing system.

## APPLICATION

Underground, Aerial, Vault and Wall Mountable.

### Key

- 1 Dome
- 2 Optional valve
- 3 Wrap-around grooveplates
- 4 Base
- 5 Latch



# SPECIFICATION

Dimensions in mm	ODC-FD6	
L	432mm	
W1	279mm	
W2	150mm	
A	30mm	
B	82mm	
C	30mm	
	Fibres	Trays
Single circuit splicing capacity	96	24
Single element splicing capacity LD	144	12
Single element splicing capacity HD	288	24