

ODC-BC6

OPTICAL DISTRIBUTION CLOSURE

APPLICATION

The generic closure ODC-BC6 is an environmentally sealed enclosure typically used for fibre optic cable distribution. This generic closure provides the functions of splice and passive component integration in the external network.

FEATURES

- Single ended design
- Base and dome are sealed with a clamp and O-ring system
- 6 or 16 round entry/exit ports for drop cables and 1 oval port for looped cable
- The single side UMS (Universal Mounting System) frame provide the foundation for mounting combinations of ODC-SE,SC,SE-A (Splice Tray) and/or ODC-SE-SP (Splitter Tray) modules, which consist of a modular groove plate and trays
- Compatible with most common cable types: e.g. loose tube, central core, ribbon fibre
- Uncut fibres can be stored as single circuits in trays and/or as cable elements in the storage space.



ORDERING GUIDE

ODC-BX – XXX –XX

Type

BC	488mm long with two 28 units UMS
BD	566mm long with two 42 units UMS
BE	700mm long with two 58 units UMS

Ground feed through

V	Pre-mounted flash test point in dome
N	No pressure relief valve

Number of round ports

6	Round ports
16	Round ports (8 ports with Ø 20mm) Round ports (8 ports with Ø 13.5mm)
√	Long term reliability in temperatures from -40°C +65°C Reliability from over 25 years Installation temperatures -5°C up to +45

Ground feed through

G	Pre-mounted ground feed-through
N	No ground feed-through

DIMENSIONS

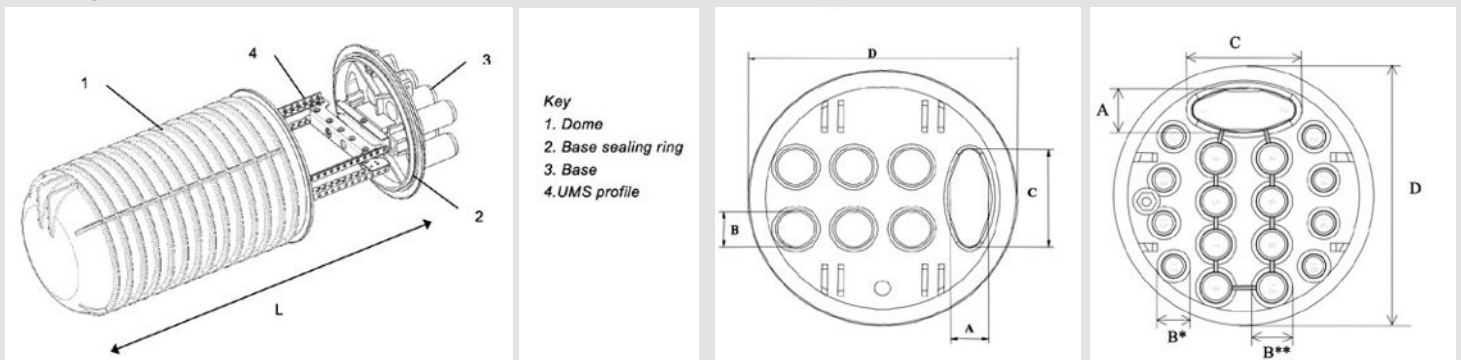


SEALING WAY

Base-to-base seals on the closures are mechanical for ease of installation and re-entry. Cable seals by heat shrink tube or mechanical sealing system.

APPLICATION

Underground, Aerial, Vault and Wall Mountable.



SPECIFICATION

Dimensions (mm or inches)	ODC-BC6	ODC-BD6	ODC-BE6
Total Length (L)	488mm (19.2")	688mm (22.3")	700(27.6")
Oval Port Length (OL)	30mm (1.2")	30mm (1.2")	30(1.2")
Round Port x 6 Width (B6)	30mm (1.2")	30mm (1.2")	30(1.2")
Round Port x 16 (B*)	20mm (0.79")	20mm (0.79")	20(0.79")
Round Port x 16 (B**)	13.5mm (0.53")	13.5mm (0.53")	13.5(0.53")
Oval Port Width (OW)	82mm (3.2")	82mm (3.2")	82(3.2")
Dome Width (D)	247mm (9.7")	247mm (9.7")	247(9.7")
Dome Width Incl. Clamp	285mm (11.2")	285mm (11.2")	285(11.2")
Single Circuit Splicing	112 fibres (56 trays)	160 fibres (80 trays)	224 fibres (112 trays)
Single Element Splicing	336 fibres (28 trays)	480 fibres (40 trays)	672 fibres (56 trays)
R4/R8 Splicing Capacity	224 fibres (28 trays)	336 fibres (28 trays)	464 fibres (58 trays)
Single Circuit Splicing HD	672 fibres (56 trays)	960 fibres (80 trays)	1344 fibres (112 trays)

B* - 16 port Dome 8 ports x 20mm

B** - 16 Port Dome 8 ports x 13.5mm